

CM[®]

BANDIT[™]

RATCHET LEVER HOIST



**OUR LIGHTEST & MOST COMPACT
3/4 & 1-1/2 TON RATCHET LEVER HOIST EVER**

C O L U M B U S M c K I N N O N C O R P O R A T I O N



BANDIT™

RATCHET LEVER HOIST

The CM Bandit is our lightest and most compact $\frac{3}{4}$ & 1½ ton ratchet lever hoist ever. Its portable design, easy free chaining, and 360° rotating handle makes it one of the most versatile hoists on the market today.

BENEFITS & FEATURES

CAPACITIES & LIFT

Capacities of $\frac{3}{4}$ and 1½ ton. Metric Rated. Standard lifts up to 20 feet. Longer lifts are available.

HIGHER CAPACITY UNITS COMING SOON

Look for 3 & 6 ton capacities.

COMPACT & PORTABLE DESIGN

Rugged, yet lightweight, design and construction can be easily transported and used in even the most confining spaces.

FREE-CHAINING

Easy free chaining feature allows for quick take up and positioning of slack chain. Designed not to accidentally free chain while under load.

360° ROTATING HANDLE

Full rotation of handle allows for versatile rigging options when working in tight spaces.

LOW HANDLE EFFORT

Double reduction gearing provides easy operation with minimal handle effort.

COMFORT-FIT HANDLE

Screwed-on comfortable rubber grip makes for a secure hold in all environments.

MEETS ASME B30.21

POSITIVE LOAD CONTROL

Enclosed Weston type load brake stays clean and dry for positive load positioning.

LOAD SECURITY & EASY INSPECTION

Upper and lower hooks feature standard forged safety latches that provide positive and secure load engagement. Hooks are bolted on for easy removal and inspection.

EASY TO POSITION & ATTACH

Upper and lower hooks feature extra wide throat openings to allow for easier attachment to pick points. Hooks swivel 360° for faster positioning.

BUILT TO LAST

Impact-resistant stamped steel housing withstands repeated rigorous use.

CORROSION RESISTANT

Standard powder coat finish on housing and zinc plating on major components for extra protection against corrosion when working in harsh environments.

100% LOAD TESTED GOLD CHROMATE CHAIN

Proven chain integrity and corrosion resistance.

EASY IDENTIFICATION

Each unit has a unique serial number for easy and accurate identification.

OPTIONAL SHIPYARD HOOKS

Shipyards hooks are available as an option on 1½ ton units.

OPTIONAL INTERNAL LOAD LIMITER

Alerts operator of possible overload by allowing the handle to rotate without lifting a higher-than-capacity load.

**LIFETIME
WARRANTY**



INDUSTRY FOCUS

THE CM BANDIT IS LOADED WITH FEATURES THAT MAKE IT IDEAL FOR HARSH AND CORROSIVE ENVIRONMENTS IN THE MINING AND CONSTRUCTION INDUSTRIES.



THE WORLD'S FIRST HMI-CERTIFIED RATCHET LEVER HOIST

What is the Hoist Manufacturers Institute (HMI)?

HMI members are industry-leading suppliers of material handling equipment including manual and powered hoist and trolley manufacturing and distribution.

HMI is recognized as the authority and principal resource in the hoist industry. It is the leading advocate for the safe and proper operation of hoisting equipment and related products.

What does HMI-Certified mean?

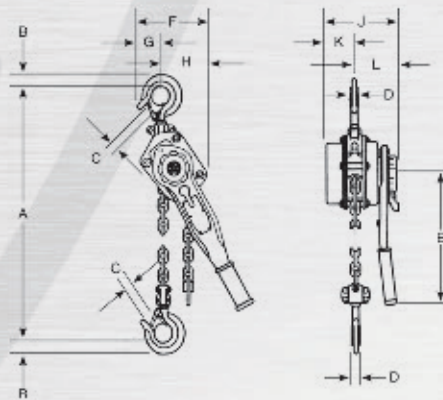
The purpose of HMI-Certified is to instill consumer confidence that the product and its manufacturer have met strict HMI requirements which include that the manufacturer:

- Be a manufacturer of industrial hoisting equipment.
- Have its product meet one or more requirements as stated by HMI.
- Have a qualified US-registered professional engineer verify, sign and seal that the product meets the requirements.*
- Must provide a *Declaration of Conformity* for Technical, Service and Support.

Why is HMI-Certification important to Columbus McKinnon?

- It ensures our product meets nationally-recognized industry standards.
- It supports our commitment to safety, service, and aftermarket support.

*Columbus McKinnon has a full-time US-registered professional engineer on staff.



Model Number	Capacity Metric Rated Ton (kg)	Standard Lift FT (m)	Lever Pull to Lift Rated Load LBF (kg)	Net Weight LB (kg)	Dimensions Inches (mm)										
					A	B	C	D	E	F	G	H	J	K	L
BAN07505	3/4 (750)	5 (1.52)	45 (20.41)	13.6 (6.17)	12.80 (325.12)	0.94 (23.88)	1.13 (28.70)	0.69 (17.53)	9.63 (244.60)	4.88 (123.95)	2.19 (55.63)	3.31 (84.07)	6.06 (153.92)	2.11 (53.59)	3.95 (100.33)
BAN07510		10 (3.05)		15.7 (7.12)											
BAN07515		15 (4.57)		18 (8.16)											
BAN07520		20 (6.1)		20.1 (9.12)											
BAN15005	1-1/2 (1500)	5 (1.52)	64 (29.03)	20.7 (9.39)	14.20 (360.68)	1.13 (28.70)	1.25 (31.75)	0.81 (20.57)	10.25 (260.35)	5.63 (143.00)	2.38 (60.45)	3.56 (90.42)	6.75 (171.45)	2.69 (68.33)	4.13 (104.90)
BAN15010		10 (3.05)		24.3 (11.02)											
BAN15015		15 (4.57)		27.9 (12.65)											
BAN15020		20 (6.1)		31.5 (14.29)											



SEE THE BANDIT IN ACTION





KNOW HOW...KNOW WHY

Columbus McKinnon is a global leader in providing expertise and training in the proper use and inspection of rigging and overhead lifting equipment. With a range of comprehensive programs and seminars conducted at venues throughout North America, as well as on site at private companies and industries, Columbus McKinnon courses include:

- Hoist Maintenance
- Load Securement
- Crane & Hoist Inspection
- Rigging Gear Inspection
- Rigging
- Safe Hoisting
- Crane Operator Training

Classes are available at our Niagara Training Center and the state-of-the-art **Hoist & Rigging Training Center of Excellence** in the Center for Occupational Health and Automobile Manufacturing (COHAM) lab at The Ohio State University. The COHAM lab is a hands-on learning center that allows attendees to understand how to properly use and inspect overhead lifting equipment. This leading-edge training program is designed to increase workplace productivity and safety in an ergonomically friendly environment.



In addition to the strong knowledge base exemplified by comprehensive training programs, Columbus McKinnon is one of the only manufacturers supplying complete lifting systems to satisfy unique material handling requirements of users in a variety of environments. From jib cranes and hoists to chain slings, clamps, and related attachments; systems include products that are matched specifically to the lifting needs of the application. Products may also be modified in order to ensure that the proper system is in place for the job.

Whether your needs call for a single CM Bandit ratchet lever hoist or a completely engineered system to outfit your production facility, Columbus McKinnon provides the material handling products and expertise you need to keep your workforce productive and safe.



Phone (800) 888.0985 • Fax: (716) 689.5644 • www.cmworks.com